

# GUARDIAN/GUARDIANX SERIES NEMA 4 or 4X FILTER FANS KNP60FL

## TECHNICAL DATA



**NEMA  
TYPE 4/4X  
MAINTAINED**

Model	Nema Rating	Normally In Stock	Voltage	Frequency Hz	Input Amps	Input Watts	Fan Airflow CFM*	Fan w/Grille Airflow CFM**	Noise db(A)	Operating Temp. °F		Approx. Weight	
										Min.	Max.	Lbs.	Kg.
KNP60FL	4	Yes	115 VAC	50/60	.42/.34	43/37	270/290	84/92	59/61	-40	158	11.3	5.1
KNP60FLV	4X		115 VAC	50/60	.42/.34	43/37	270/290	84/92	59/61	-40	158	11.3	5.1
K2NP60FL	4		230 VAC	50/60	.20/.17	37/36	270/290	70/80	59/61	-40	158	11.3	5.1
K2NP60FLV	4X		230 VAC	50/60	.20/.17	37/36	270/290	70/80	59/61	-40	158	11.3	5.1
K6NP60FL	4		12 VDC	-	.52	6.2	225	72	67	-4	176	11.3	5.1
K6NP60FLV	4X		12 VDC	-	.52	6.2	225	72	67	-4	176	11.3	5.1
K7NP60FL	4		24 VDC	-	.60	14.4	230	72	54	-40	158	11.3	5.1
K7NP60FLV	4X		24 VDC	-	.60	14.4	230	72	54	-40	158	11.3	5.1
K8NP60FL	4		48 VDC	-	.36	16.8	240	40	58	-40	158	11.3	5.1
K8NP60FLV	4X		48 VDC	-	.36	16.8	240	40	58	-40	158	11.3	5.1

\* Fan airflow without filter and grille.

\*\* NEMA Rated if installed with provided filter.

**For general ventilating use only. Do not use these fans to exhaust hazardous or explosive material or vapors.**

**NOT ALL SYSTEMS ARE SUITABLE FOR UTILIZING OUTSIDE AIR. To protect sensitive components against condensation an enclosure heater or closed-loop cooling is recommended. To protect sensitive components against corrosive elements closed-loop cooling is recommended.**

## STANDARD FEATURES

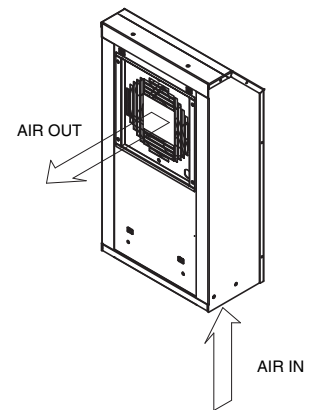
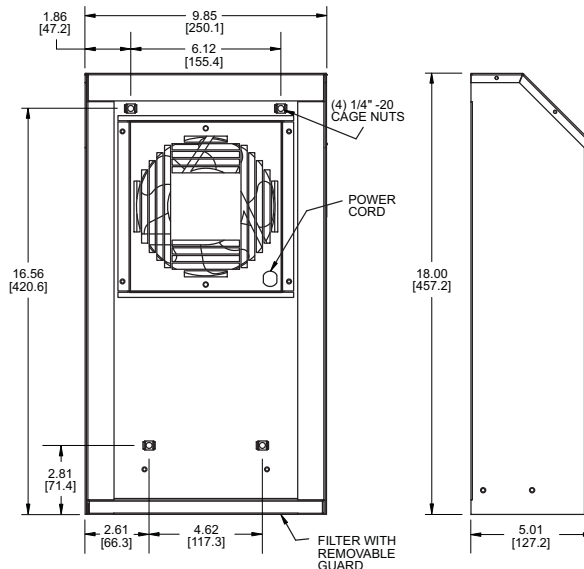
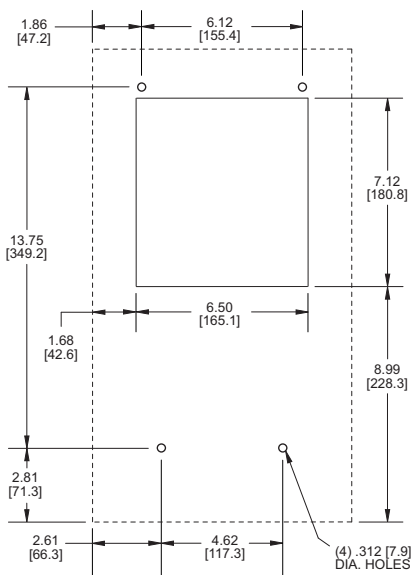
- Baked Powder Finish
- Integrated Fan Guards
- Integrated Sealing Gasket
- IP55 Filter Protection
- NEMA 4 or 4X Rating Maintained (if used with provided filter)
- Secure Mounting
- Six foot [1.8m] (minimum) 3-wire power cord
- Stainless Steel Shell (NEMA 4X models)
- UL/CSA Shielded Ball Bearing Motors
- UL/CUL Listed
- Washable, Reuseable Filter

## ACCESSORIES AND OPTIONS

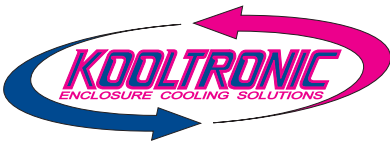
Filter-Hood Assembly - (Recommended) - (P/N: KNPA60FL)

- Other voltages, both AC and DC
- Replacement Filters (P/N: 0429-01-01)
- Reversed Airflow Direction

## DRAWINGS



Dimensions, inches [mm], are for reference only and are subject to change.



# GUARDIAN/GUARDIANX SERIES NEMA 4 or 4X FILTER FANS KNP60FL

## DESCRIPTION

Kooltronic has expanded its line of filter fans to include models offering the versatility and security of indoor or outdoor use. All **Guardian Series Filter Fans** have a **NEMA 4** Rating. The **GuardianX Series Filter Fans**, with a **NEMA 4X** Rating, are offered with a Stainless Steel Shell. The **Guardian/GuardianX Series Indoor/Outdoor Filter Fans** are a perfect choice for dissipating high heat loads economically. These models are available in a variety of sizes, voltages and protection levels.

The new **Guardian/GuardianX Series Filter Fans** offer the same convenience, versatility and reliability as the **Advantage Series Filter Fans** with the added protection of a NEMA 4 or 4X Rating, making these models an excellent choice for telecommunications and other outdoor applications.

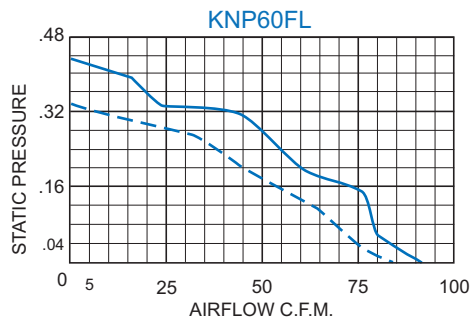
## COMPONENT CHARACTERISTICS

- Standard airflow direction is from the outside to the inside of the cabinet.
- Filters are stable up to 100°C and 100% rh. (Filters are necessary in order to maintain NEMA 4 or 4X Rating).
- Filters guarantee a continuously high level of protection according to EU4, with a 94% separation efficiency according to DIN 24185 Standard.  
NOTE: Filter media is washable about 10 times.
- With available filters, dust capacity is particularly high (620 g/m<sup>2</sup>), which reduces maintenance.

## ACCESSORIES AND OPTIONS

- Other supply voltages, both AC and DC, are available on request.
- Filter fans can be supplied with reversed airflow direction (from inside the cabinet to outside). To order, add "R" after series number. Example: KNP60RFL.
- Depending on the request and quantity, parts can be supplied in different colors.
- Filter-Hood Assembly - (Recommended) - (P/N: KNPA60FL).
- Replacement Filters (P/N 0429-01-01).

## PERFORMANCE CHART



Airflow vs. static pressure curves are shown for 60 Hz and 50 Hz (broken line) inputs.